



Freestanding Range

FPGF3077QF

30" Gas



Product Dimensions

Height (Max.)	47-3/4"
Width	29-7/8"
Depth (Including Handle)	29-1/4"

More Easy-To-Use Features

Built with American Pride

Designed, engineered and assembled in the U.S.A.

PowerPlus® Burner

Quickly boil, saute, and sear foods at high heat with the PowerPlus® 18,000 BTU burner.

PrecisionPro Controls™

Prepare a range of dishes with precision, whether you're simmering, sautéing, searing or boiling.

Convection Conversion

Automatically converts the convection oven to the ideal cooking time for evenly cooked dishes.

Oval Burner

Great to pair with a griddle when cooking dishes like steaks or pancakes.

Durable, Continuous Grates

Cook a variety of dishes at the same time with ease. Our durable, continuous grates allow you to slide a variety of heavy pots and pans across burners. Plus, they're dishwasher-safe.

Dual Timers

Set a timer for both your cooktop and oven when cooking dishes simultaneously.

2-Hour Self-Clean

A powerful, quick clean for your oven in just 2 hours with PowerPlus® Self-Clean Cycle.

Sabbath Mode (Star-K® Certified)

Available in:



Stainless (F)

Burners	BTU
Right Front	18,000
Right Rear	5,000
Left Front	9,500
Left Rear	12,000
Center Oval	10,000

Signature Features



PowerPlus® Convection

Powerful performance delivers consistent results. Evenly cooked dishes, every time, with PowerPlus® Convection Bake and Roast.



PowerPlus® Temperature Probe

Ensures great results the first time. Set and monitor dish temperature with the PowerPlus® Temperature Probe.



PowerPlus® Preheat

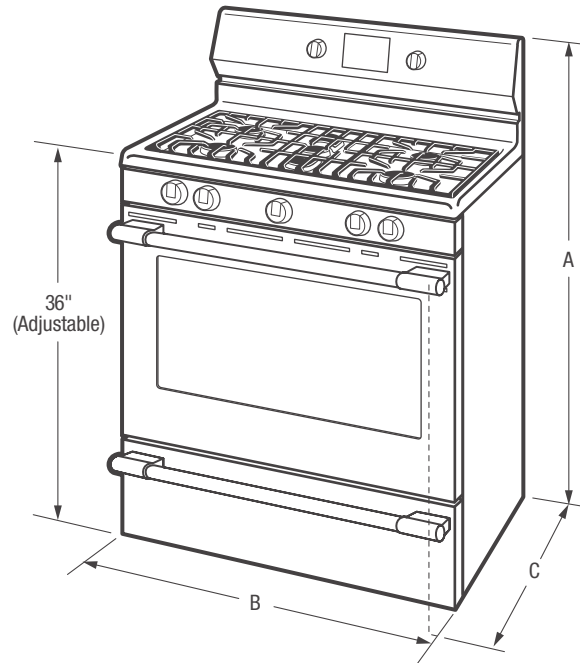
With PowerPlus® Preheat, your oven is ready in a few minutes for a powerful start to every delicious meal.



Smudge-Proof™

Resists fingerprints and cleans easily.

Features	
Oven Control/Timing System	PrecisionPro Controls™
Surface Type	Black Porcelain
Sealed Gas Burners	Yes
Grates	Continuous Cast Iron w/Black Matte Finish
Window	Extra-Large with Black-Tint Finish
Exterior Door Finish	Smudge-Proof™ Stainless Steel
Handle Design	Stainless Steel
Exterior Finish (Side Panels)	Stainless Steel
Convection System	PowerPlus® Single-Fan Convection
Oven Cleaning System	Self Clean
Drawer Functionality	Storage
Oven Controls	
Bake/Broil	Yes/Variable (400 - 500 °F)
Effortless™ Convection Conversion	Yes
Convection Bake/Broil/Roast	Yes/No/Yes
PowerPlus® Convection	Yes
PowerPlus® Preheat	Yes
PowerPlus® Temperature Probe	Yes
Keep Warm	Yes
Self Clean	2, 3, 4 Hours
Rapid Clean Option	Yes
Delay Clean	2, 3, 4 Hours
Kitchen Timer/Timed Cook Option	Yes/Yes
Auto Oven Shut-Off	Yes
Oven Lock-Out	Yes
Cooktop Features	
Right Front Burner (BTU)	18,000
Right Rear Burner (BTU)	5,000
Left Front Burner (BTU)	9,500
Left Rear Burner (BTU)	12,000
Center Oval (BTU)	10,000
Oven Features	
Capacity (Cu. Ft.)	5.6
Oven Light	1
Hidden Bake Element	Yes
Rack Configuration	2 Heavy Duty Handle, 1 Offset
Baking System	Even Baking Technology
Broiling System	Vari-Broil™
Bake Burner/Broil Burner (BTU)	18,000/13,500
Optional Accessories	
Griddle/Grill (2-sided)	PN # 5304495353
LP Gas Conversion Kit	PN # GRLP4
Certifications	
Sabbath Mode (Star-K® Cert.)	Yes
Specifications	
Oven Interior (H x W x D)	20-5/8" x 24-3/8" x 19-1/4"
Power Supply Connection Location	Center Bottom Rear
Gas Supply Connection Location	Center Bottom Rear
Voltage Rating	120V/60Hz/15A
Amps @ 120 Volts	15
Shipping Weight (Approx.)	210



NOTE: For planning purposes only. Always consult local and national electric and gas codes. Refer to Product Installation Guide for detailed installation instructions on the web at frigidaire.com.

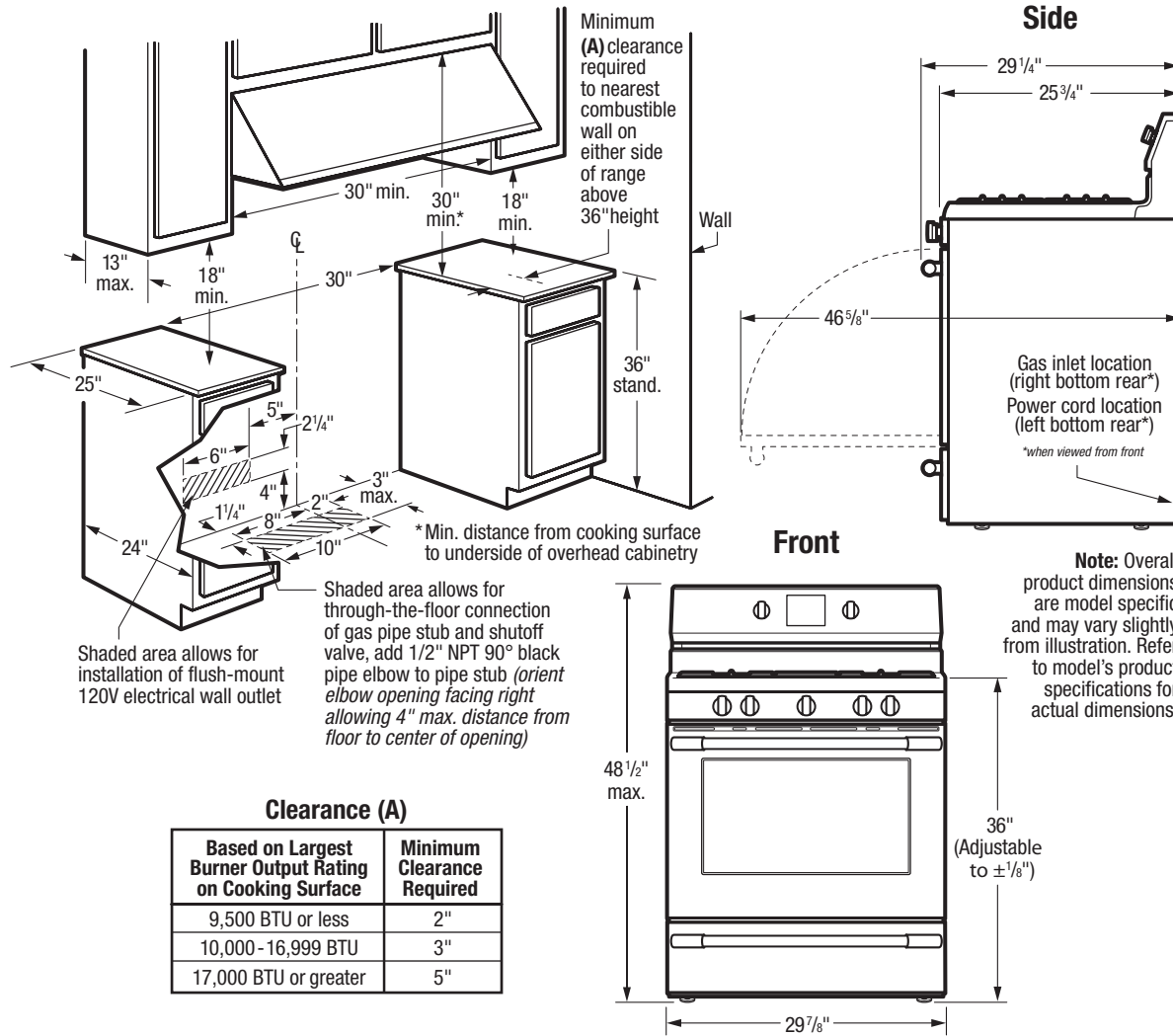


Product Dimensions		Cabinet Cutout Dimensions	
A-Height (Max.)	47-3/4"	Height (Standard)	36"
B-Width	29-7/8"	Width (Min.)	30"
C-Depth (Including Handle)	29-1/4"	Depth (Min.)	24"
Depth with Door Open 90°	46-5/8"		

Accessories information available on the web at frigidaire.com

FRIGIDAIRE

USA • 10200 David Taylor Drive • Charlotte, NC 28262 • 1-800-FRIGIDAIRE • frigidaire.com
 CANADA • 5855 Terry Fox Way • Mississauga, ON L5V 3E4 • 1-800-265-8352 • frigidaire.ca



Based on Largest Burner Output Rating on Cooking Surface	Minimum Clearance Required
9,500 BTU or less	2"
10,000 - 16,999 BTU	3"
17,000 BTU or greater	5"

Note: Overall product dimensions are model specific and may vary slightly from illustration. Refer to model's product specifications for actual dimensions.

Freestanding Range Specifications

- Product Shipping Weight (approx.) - 210 Lbs.
- Voltage Rating - 120V/60 Hz/15 Amps
- Amps @ 120 Volts = 15 Amps
- Always consult local and national electric and gas codes.
- Make sure wall coverings around range can withstand heat generated by range.
- Linoleum or any other synthetic floor covering located beneath range, must be capable of withstanding minimum heat of 90°F above room temperature without shrinking, warping or discoloring. Insulating pad or 1/4"-thick plywood required between range and a carpeted floor.
- Do not obstruct flow of combustion air at oven vent nor around base or beneath lower front panel of range. Range requires fresh air for proper burner combustion.
- Do not install range beneath any downward-blowing, overhead vent hood or air curtain.
- Range ships with 3/4" factory regulator.
- Range is LP Gas convertible. (Optional LP Gas Conversion Kit available.)

- Floor beneath range MUST be solid and level.
- Overhead cabinetry should not exceed a 13" maximum depth.
- Absolute minimum horizontal distance between overhead cabinets installed to either side of appliance must be no less than maximum width of appliance.
- Range can be installed flush to wall with 0" minimum rear clearance.
- Minimum clearance required (from edge of rangetop to nearest combustible wall on either side of range above 36" height) is based on largest burner output rating on cooking surface.
- To reduce risk of fire when using overhead cabinetry, install range hood that projects horizontally a recommended minimum of 5" beyond bottom of cabinets.
- Follow all dimension requirements provided to prevent property damage, potential fire hazard, and incorrect countertop and cabinet cuts.

Note: For planning purposes only. Refer to Product Installation Guide on the web at frigidaire.com for detailed instructions.

Optional Accessories

- Griddle/Grill (2-sided) - (PN # 5304495353).
- LP Gas Conversion Kit - (PN# GRLP3).

