

JS645EL/SL/FL/DL

GE® 30" Slide-In Electric Range

DIMENSIONS AND INSTALLATION INFORMATION (IN INCHES)

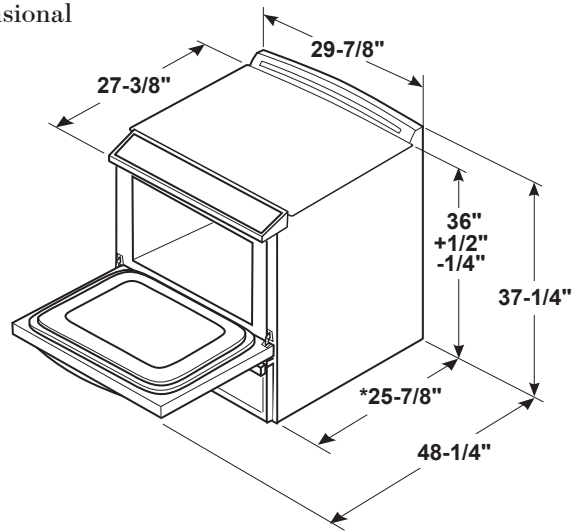
RECEPTACLE LOCATIONS: Locally approved flexible service cord or conduit must be used because terminals are not accessible after range installation. See shaded area in drawing for location of electrical outlet box. Recommended outlet locations allow range to be installed directly against rear wall.

NOTE: This appliance has been approved for 0" spacing to adjacent surfaces above the cooktop. However, a 6" minimum spacing to surfaces less than 15" above the cooktop and adjacent cabinet is recommended to reduce exposure to steam, grease splatter and heat.

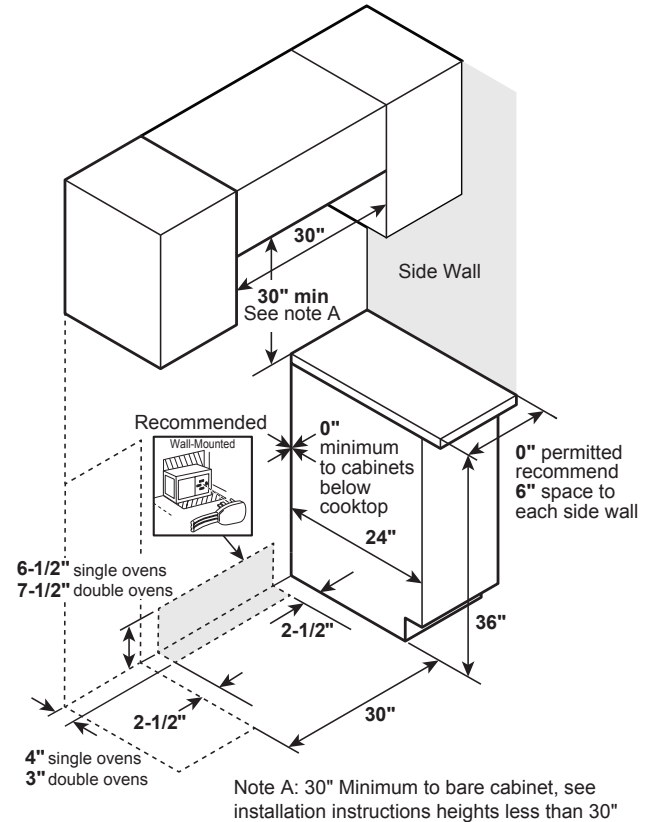
INSTALLATION INFORMATION: Before installing, consult installation instructions for current dimensional data and additional requirements.

KW RATING	
240V	12.1
208V	9.1
BREAKER SIZE	
240V	40 Amps†
208V	40 Amps†

†**NOTE:** Check local codes for required breaker size.



*Depth including door handle is approximately 28-1/4".



For answers to your Monogram, GE Café™, GE Profile™ or GE Appliances product questions, visit our website at geappliances.com or call GE Answer Center® Service, 800.626.2000.



All GE Appliances ranges are equipped with an Anti-Tip device. The installation of this device is an important, required step in the installation of the range.



Specification Revised 10/21

JS645EL/SL/FL/DL

GE® 30" Slide-In Electric Range

FEATURES AND BENEFITS

Two 9" / 6" 3,100W Power Boil elements – Two powerful elements boil water 25% faster than standard GE elements and adjust to fit cookware

Self-clean oven – Cleans the oven cavity without the need for scrubbing

5.3 cu. ft. oven capacity – Enough room to cook an entire meal at once

Dual-element bake – Upper and lower elements produce even heat and great results

Finished sides – Attractive look allows for installation flexibility in any kitchen

Removable full-width storage drawer – Store cookware or kitchen accessories

Stainless steel knobs – A professional look and a robust feel make these knobs a joy to use

White LED display – Crisp light makes it easy to monitor the display from across the kitchen

Model JS645ELES – Slate

Model JS645SLSS – Stainless steel

Model JS645FLDS – Black slate

Model JS645DLWW – White

GUARANTEED FIT

Replace your old 30" free-standing range with a new 30" slide-in model.

GE slide-in ranges are guaranteed for an exact fit or GE Appliances will pay up to \$300 toward modifications.

Visit geappliances.com for more info

